

SANKEN CUS-101B

Gooseneck Condenser Microphone

Description

SANKEN CUS-101B is specially designed for speech program of TV, radio broadcasting.

Using DC-biased condenser capsule and carefully designed transducer, it has quite clear sound for human voice. This frequency response is consciously focused for "speech", therefore it can pick up human voice very clearly and naturally. Also it has cardioid directivity, and has approx 20dB rejection on axis vs. 180 degree. It will catch almost no signal from rear, it means it will not have any unwanted basic noise in the room.

To isolate vibration from table, it has very carefully designed shock absorber using combination of foam rubber and metal spring. It is very effective to isolate vibration noise. Because resonance of this shock absorber is set to lower than 20Hz.

There are three length of this gooseneck microphone. You can choose from 130, 240 and 300mm type according to your application.



Specifications

Transducer:	DC-biased condenser
Frequency Response:	see graph
Directivity:	Cardioid
Sensitivity at 1kHz:	5.6mV/Pa = -45dBV
Equivalent Noise Level:	Less than 22dB-A
Max Sound pressure level:	125dB SPL (THD 1%)
Dynamic Range:	More than 130dB
S/N Ratio (A-weighted):	72dB
Output Impedance:	Less than 250 Ohm
Recommended Load:	More than 1k Ohm
Power requirement:	48V phantom
Consumption Current:	0.85mA
Output Connector:	XLR-3M
Cable Length:	3m(10 ft.)
Size:	
Goose-neck length:	205.5mm/Type 130 315.5mm/Type 240 371.5mm/Type 300
Stand Base:	90mm diameter 30mm height
Weight:	Goose-neck 60g Stand Base 750g
Finish:	Gray matte

Features

- Clear and natural human voice because of consciously designed frequency response
- Strongly avoid to catch basic room noise as high rejection of 180 degree sensitivity
- Very effective isolation of table vibration using unique absorbing system
- You can choose 130mm, 240mm, 300mm goose-neck length
- Small and slim goose-neck design
- Thanks to titanium diaphragm, it keeps quality for long period, and hard to be affected by humidity
- Goose-neck part is removable from stand base.

MODEL: CUS-101B/130
CUS-101B/240
CUS-101B/300

optional accessory: Urethane wind screen
(7 colors) 1set WM-101

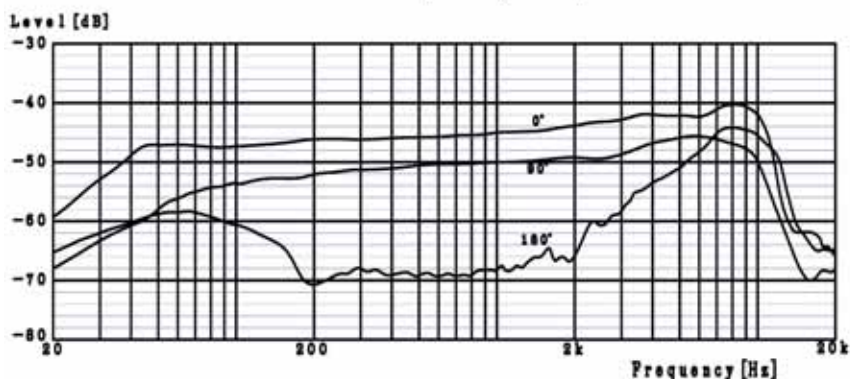
Architects and Engineers Specifications

The microphone shall be a directional DC-biased condenser type to produce a well defined cardioid polar pattern. The microphone shall be no longer diameter than 24.4mm, and finish shall be gray matte. On axis frequency response shall be maintained 50Hz to 10kHz, as measured at 1 meter. Microphone sensitivity shall be at least 5.6mV/Pa, and the self A-weighted noise level of the microphone shall be no higher than 22dB. The microphone shall operate in a sound field of 125dB-SPL with no greater than 1% THD.

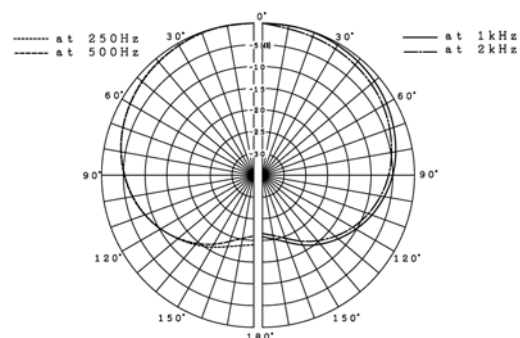
The microphone shall operate on phantom powering of 48V DC. The microphone shall be SANKEN model CUS-101B.

Graphical Data

CUS-101B Frequency Response

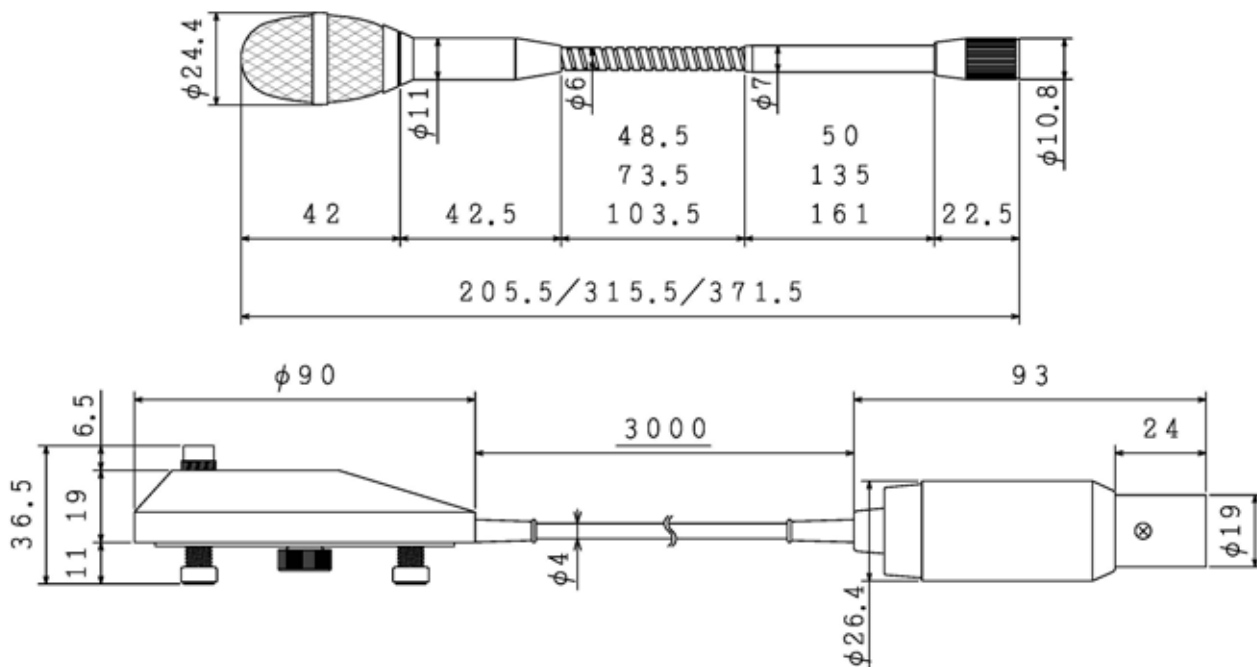


CUS-101B POLAR PATTERN



Dimensions

Each length shows for CUS-101B/130, /240 and /300



Specifications subject to change without notice.

© 2004 Sanken Microphone Co.Ltd.

2-8-8, Ogikubo, Suginamiku, Tokyo 167-0051 Japan

www.sanken-mic.com

Ph:+81 3 3392 6581 Fax:+81 3 3393 2055

cs@sanken-mic.com