

CUW-180

A single microphone body with two cardioid condenser capsules that can be rotated freely up to 180 degree in 15 degree detent.

Sanken CUW-180 is designed with stereo X-Y recording in mind, each cardioid pattern condenser capsule can be independently adjusted through any angle up to 180 degree freely with 15 degree detent.

The feature is unique to this microphone and provides the simplest and most direct method of adjusting X/Y recording angles.

The close coupling of the capsule pair allows perfect phase coherence between X and Y signals.



For Surround recording pairs of **CUW-180** in dual X/Y mode can also provide a conceptually simple method of recording both Front L/R and Rear L/R (Ls/Rs) signals.

The **CUW-180** can also be used in interview situations between face-to-face participants-like a bi-directional(fig-8) design but with full independent control of each signal available on the standard AES configuration XLR-5M connector.



Surround Setting

For Camera mic application, it can be mounted onto various kind of Cam-corders. In this case, again "angle adjustable" will become very good feature.

Each microphone capsule can be rotated freely with 15 degree detent to give these configurations

SANKEN CUW-180

SPECIFICATIONS

Transducer: DC bias condenser microphone
 Sensitivity: -31dB(28.2mV) +-2dB/Pa
 Frequency Response: 20Hz ~20kHz
 Output Impedance: 180 Ohms
 Equivalent Noise: Less than 17 dBA
 Max. input: More than 137dB SPL (THD 1%)
 Powering: 48V phantom
 Consumption current: less than 1.5mA

weight: 224g
 Body Diameter: 20.5mm
 Length: 160.6mm
 Two microphones in one body

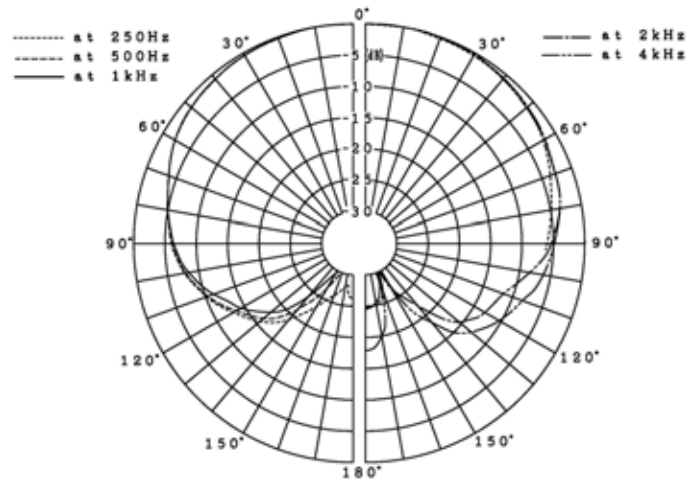


Wind shield for Surround set

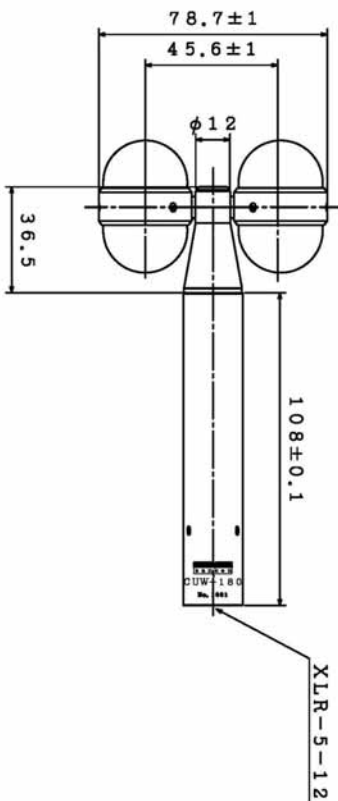
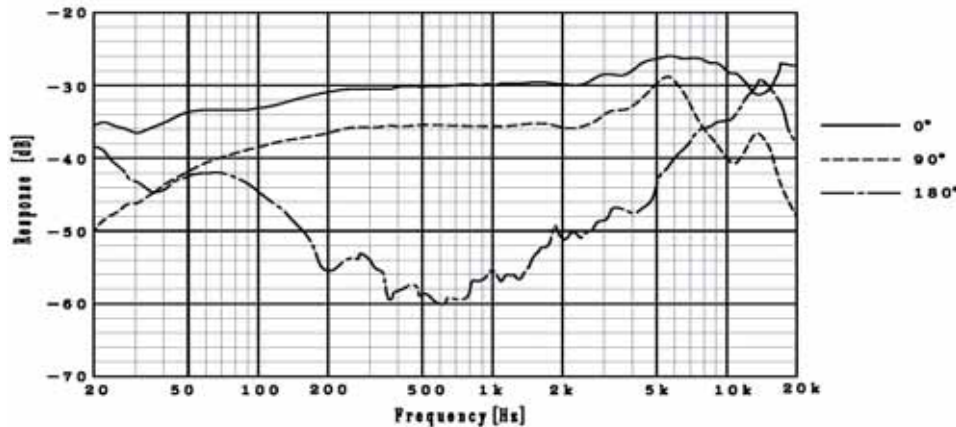


Wind shield for one mic

CUW-180 POLAR PATTERN



CUW-180 Frequency response



Body diameter: 20.5mm
 Length: 160.6mm